



ZHONGSHAN XILE OPTOELECTRONIC TECHNOLOGY CO.,LTD.



Details

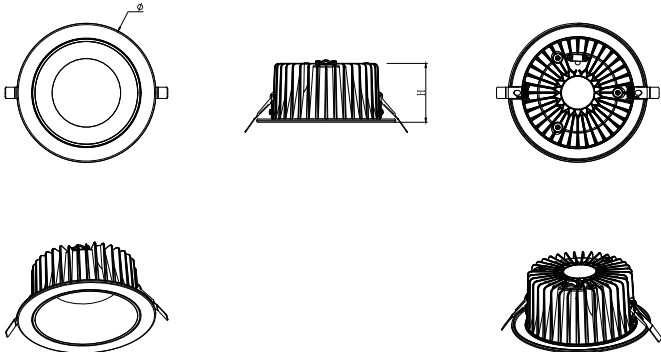
Datasheet- Small Panel Light Athena II



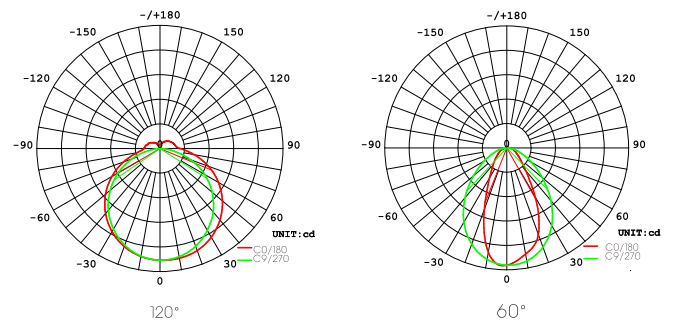
PARAMETERS:

Model No	XLSMD-10W	XLSMD-15W	XLSMD-22W	XLSMD-32W	XLSMD-40W	XLSMD-50W
Power	10W	15W	22W	32W	40W	50W
Efficacy	110LM/W					
Voltage	85-265V 165-265V					
CRI	70/80					
Beam Angle	60°/120°					
Size (mm)	Φ85*35	Φ100*50	Φ120*50	Φ165*70	Φ192*80	Φ225*92
Cutout(mm)	Φ75	Φ80	Φ100	Φ150	Φ170	Φ200

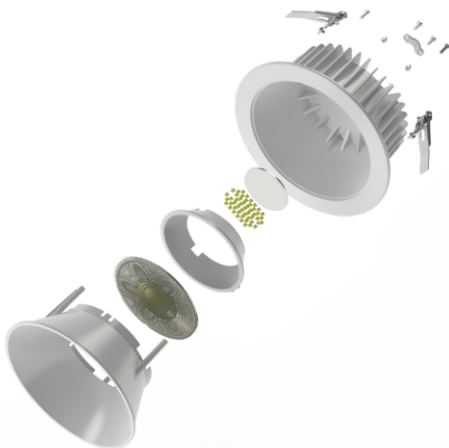
DIMENSIONS



LIGHTING DISTRIBUTIONS



EXPLODE



APPLICATIONS

